

	1
	1
	
1-1	
1-1	
1-	
1-	
1-	
1-	11
1-	1
1-	1
1-	1
1-	1
1-10	1
1-11	
1-1	
1-1	
1-1	
1-1	
1-1	0
1-1	
1-1	
	
	
-1	
-1	
-	0
-	1
-	
-	
-	
-	
-	1
-10	
-11	
-1	
-1	
-1	1
-1	
-1	
-1	
-1	
	0

[2014] 55

- 1.
- 2.
- 3.
- 4.

--

--

		1-1	1	1-1	1-1
		-1	1	-1	-1
		-1	1	-1	-1

1

I/O

C

/

Kei I C

2

1

/ /

Kei I C

MCU

/ /

2

6S (

)

/

3

120

4

20		10	0	
				1
				2
		10		3
				4
			5	

10

5

30

1



2

PCB

E

3

1



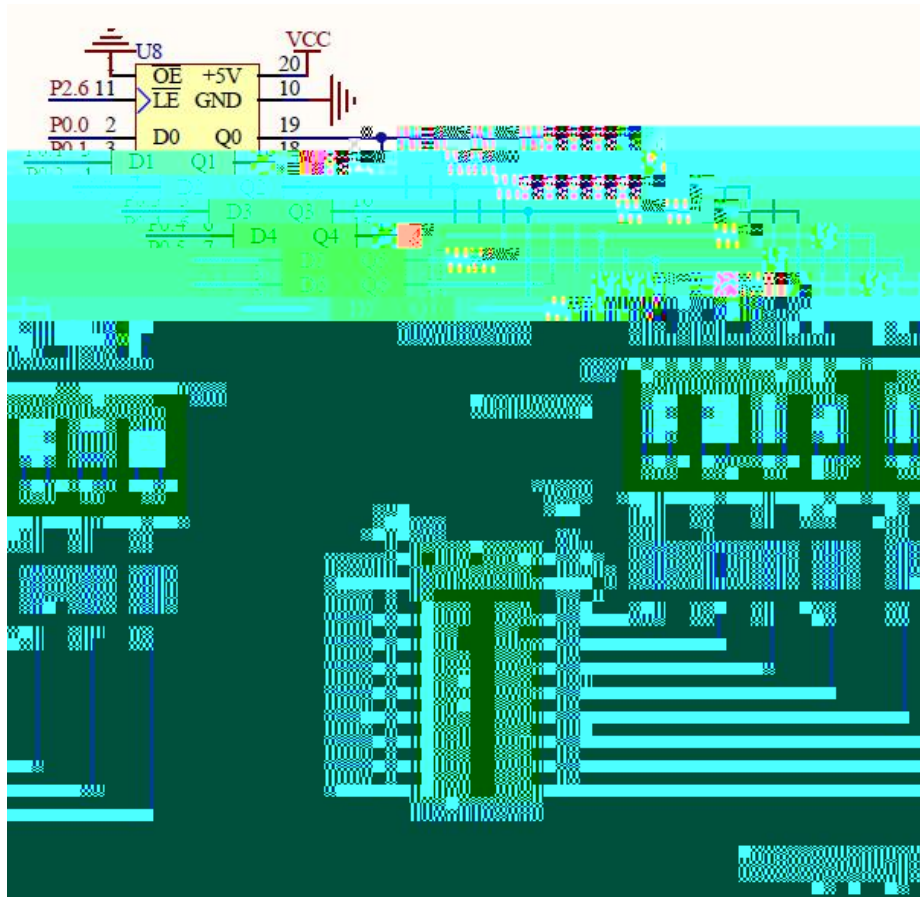
2

PCB

E

3

1

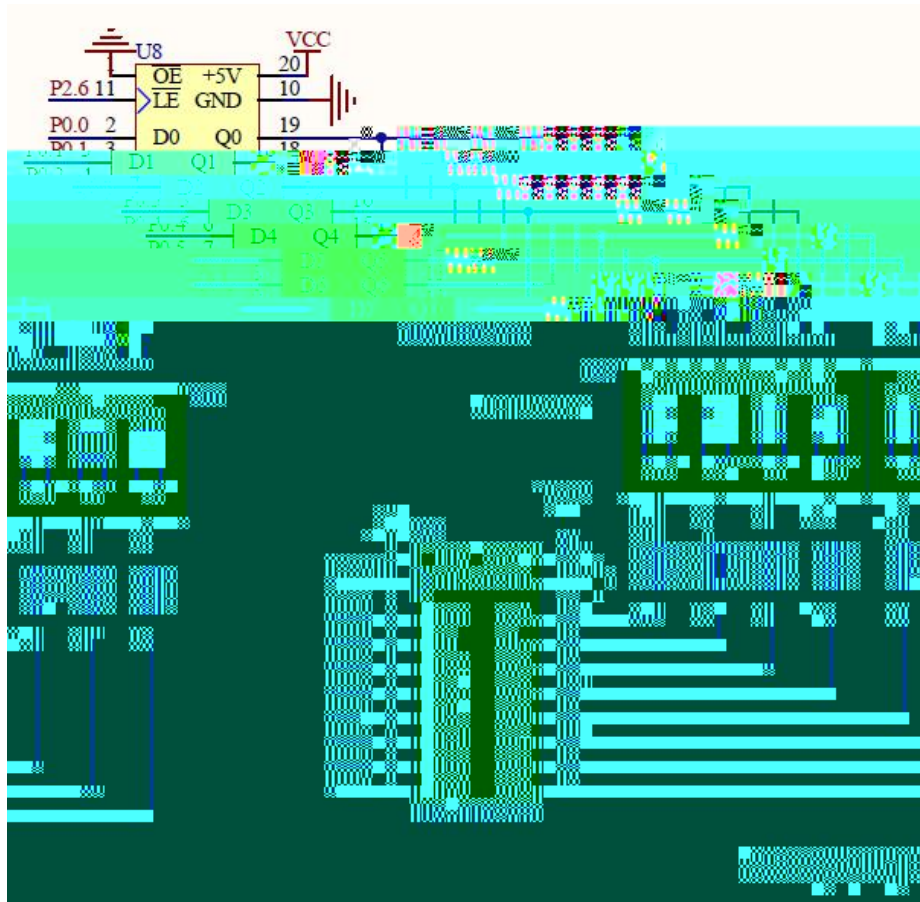


2

PCB
E

3

1



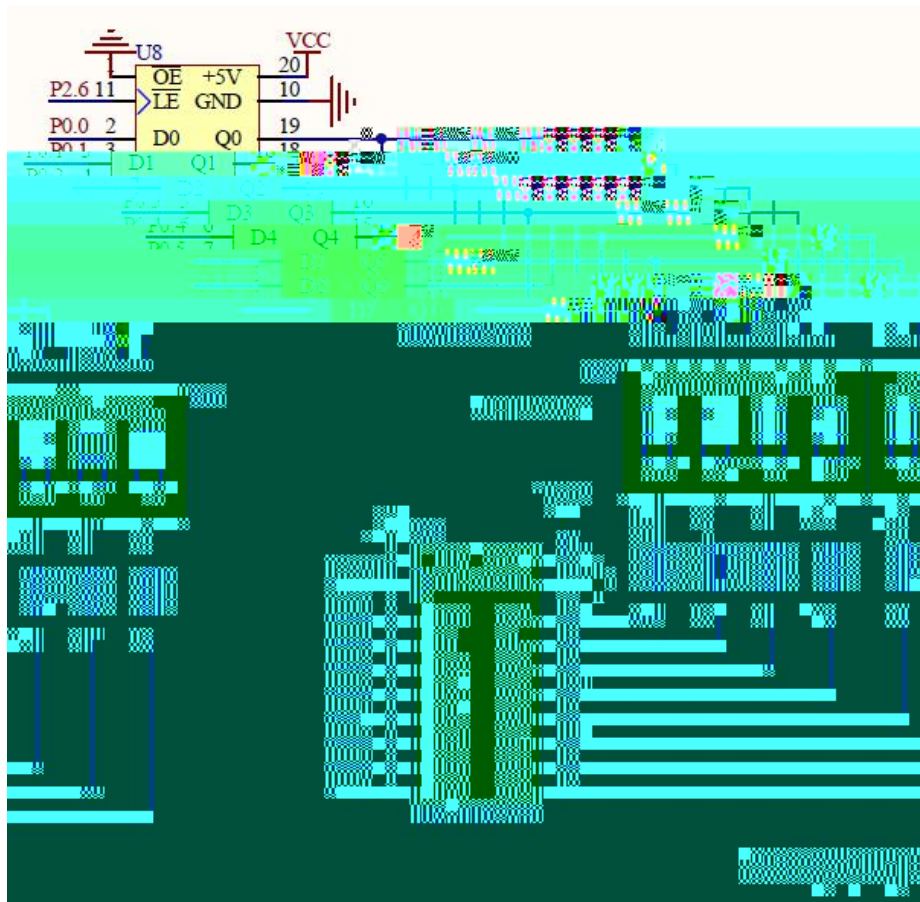
2

PCB

E

3

1



2

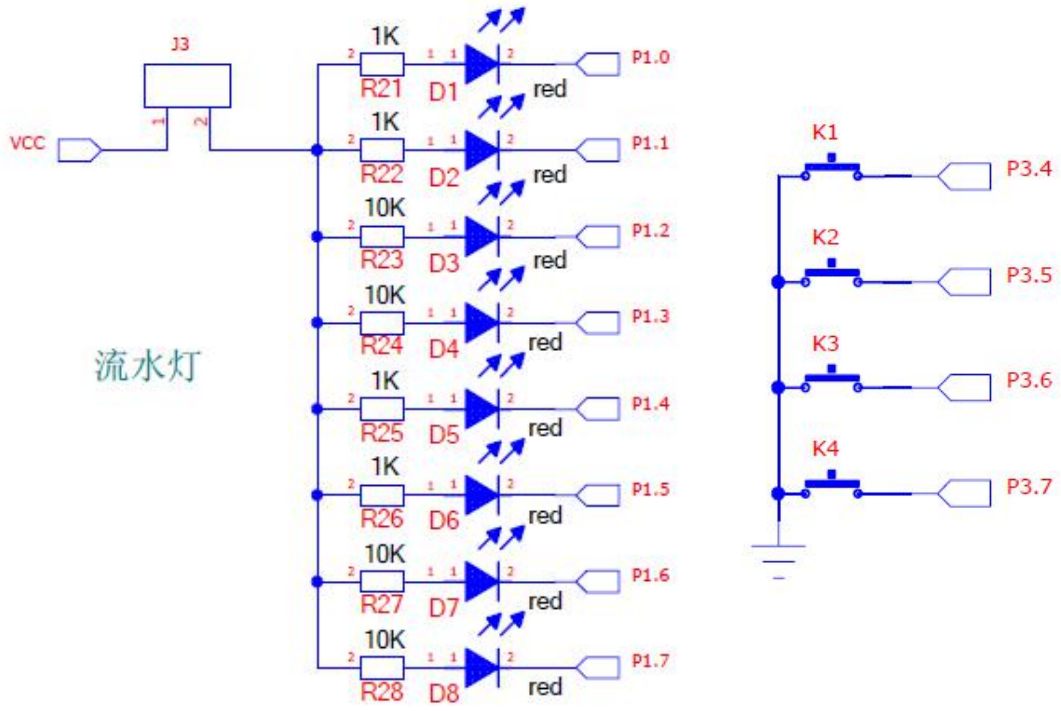
PCB

E

3

1

K1 D1 D2 D3 D4 K2 D5 D6 D7 D8 K3 8
 K4 8



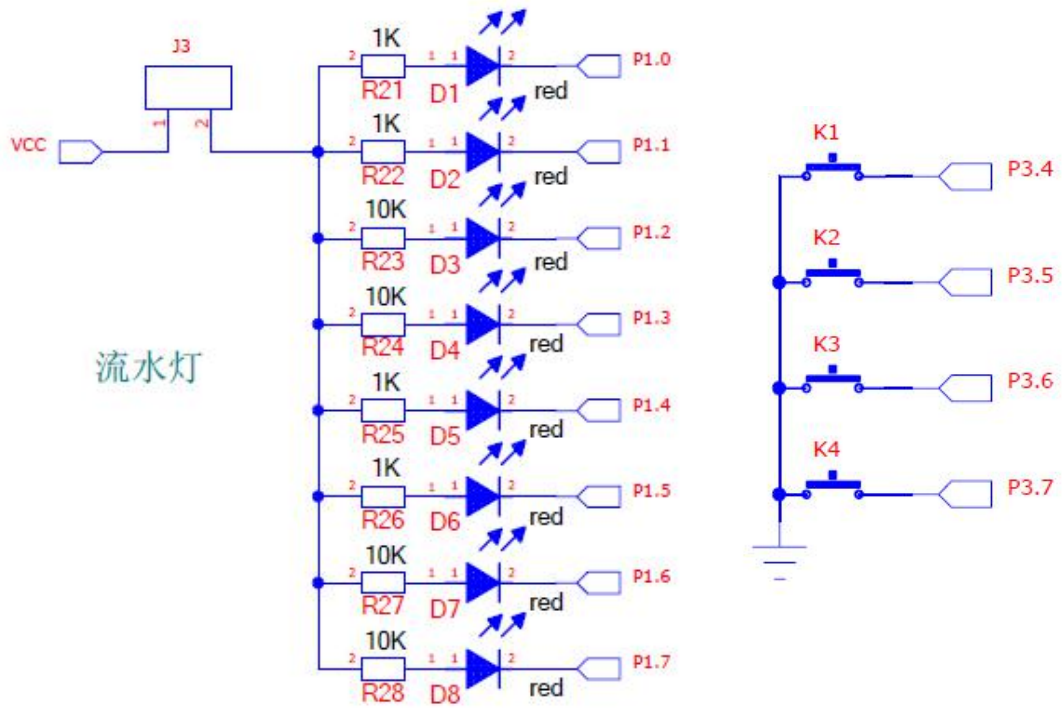
2

PCB
E

3

1

K1 8



2

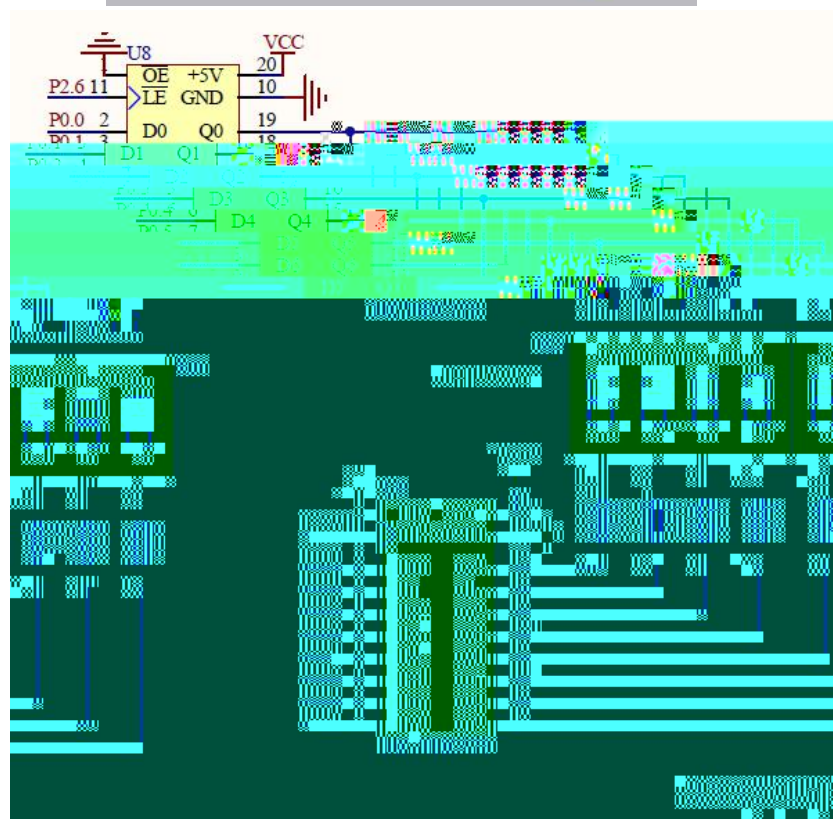
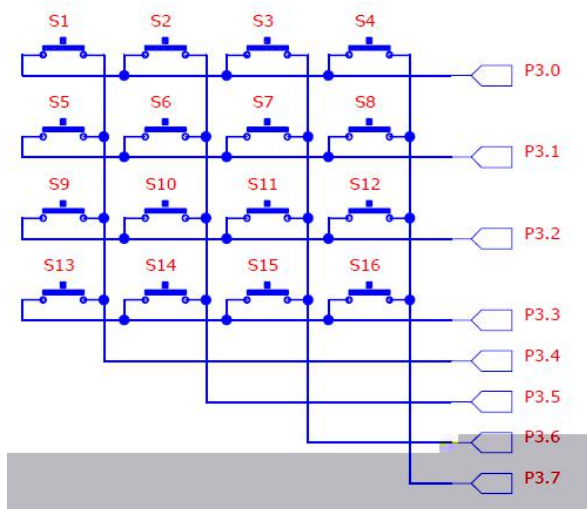
PCB
E

3

1

S1-S16

O-F



2

PCB

E

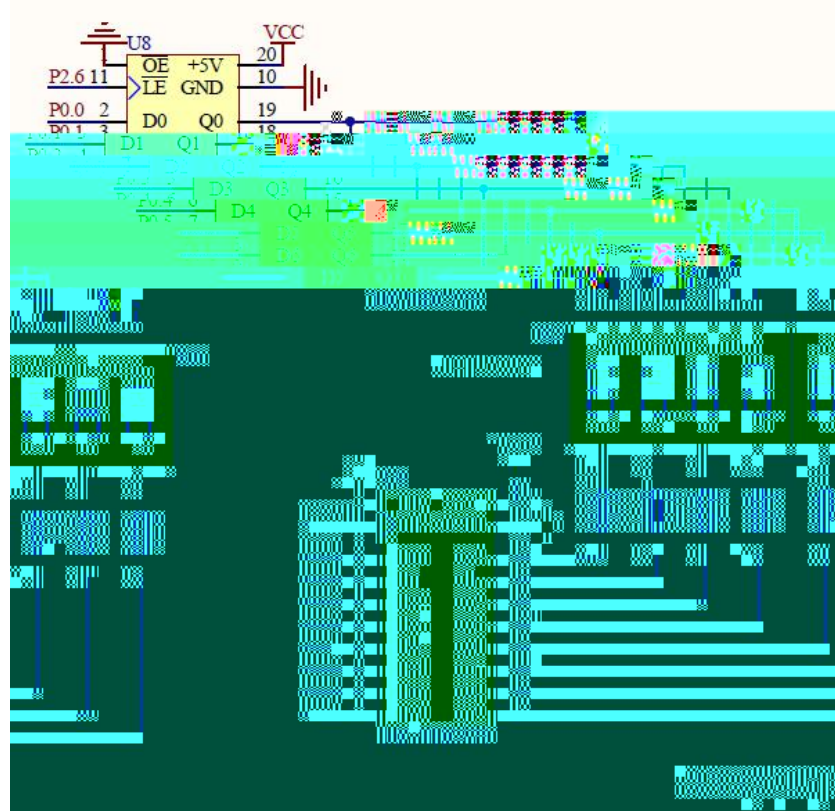
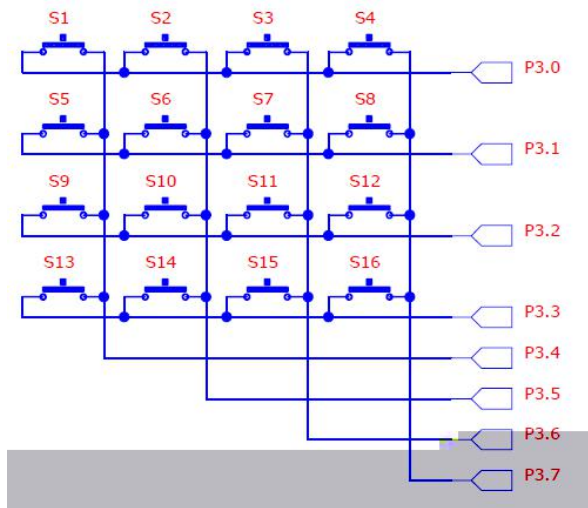
3

1

P3.2

9 0

1



2

PCB

E

3

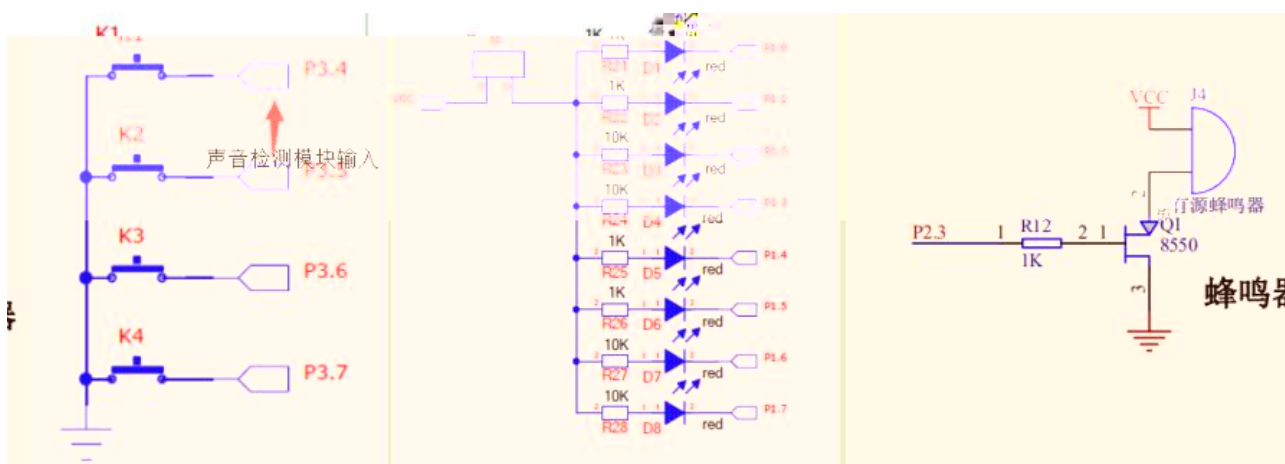
1

P3.4

1

P3.4

D1



1

2

PCB

E

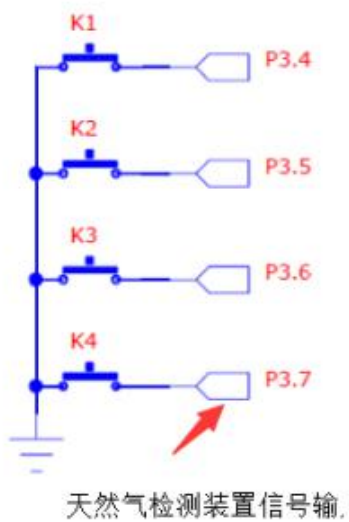
3

1

P3.7

1

P3.7



1

2

PCB
E

3

1

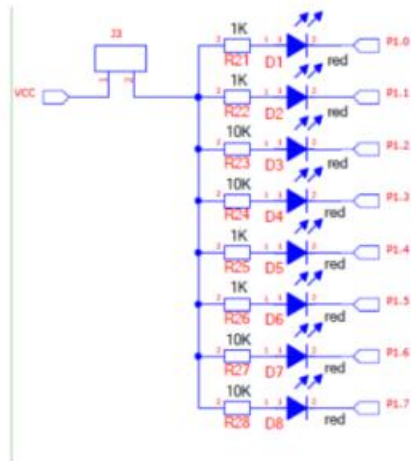
1

K1

D1

K2

D2



1

2

PCB

E

3

1

1

K1

K2 K3 K4

K1

" 1"



2

PCB

E

3

1

2



2

PCB

E

3

1

1

P3.6

P3.6



1

2

PCB

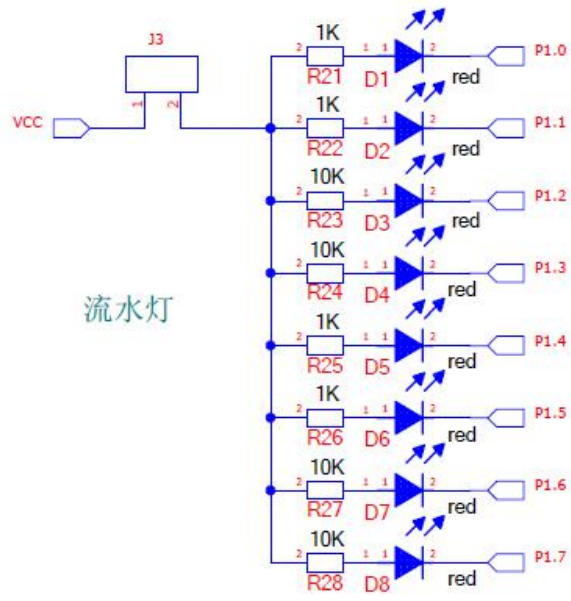
E

3

0

1

0.5S 0.5S



2

PCB

E

3

1

K1

D1-D4

K2

D5-D8



2

PCB

E

3

1

/ /

1

/ /

/ /

()

/

1 0

20		10			0
			1		
		10	2		
			3		

			4	
			5	
30		10		
		5		
		5		
		10		
50		5		
		5	1 2	PCB
		10		
		15	1 2 3	
		15		

5

18

1



2

3

1



2

3

1



2

3

1



2

3

1



2



3

1

1	VBAT	VDD	64
2	PC13/ANT1	VSS	63
3	PC14/OSC32	PB9/TIM4_CH4/SDIO_D5	62
4	PC15/OSC32	PB8/TIM4_CH3/SDIO_D4	61
5	PD0/OSCIN		60
6	PD1/OSCCAT		59
7	NC		58
8	PC12/PC12		57
9	PC11/PC11		56
10	PC10/PC10		55
11	PC9/PC9		54
12	PC8/PC8		53
13	PC7/PC7		52
14	PC6/PC6		51
15	PC5/PC5		50
16	PC4/PC4		49
17	PC3/PC3		48
18	PC2/PC2		47
19	PC1/PC1		46
20	NC		45
21	VDD		44
22	NC		43
23	NC		42
24	NC		41
25	NC		40
26	NC		39
27	NC		38
28	NC		37
29	NC		36
30	NC		35
31	NC		34
32	NC		33
33	NC		32
34	NC		31
35	NC		30
36	NC		29
37	NC		28
38	NC		27
39	NC		26
40	NC		25
41	NC		24
42	NC		23
43	NC		22
44	NC		21
45	NC		20
46	NC		19
47	NC		18
48	NC		17
49	NC		16
50	NC		15
51	NC		14
52	NC		13
53	NC		12
54	NC		11
55	NC		10
56	NC		9
57	NC		8
58	NC		7
59	NC		6
60	NC		5
61	NC		4
62	NC		3
63	NC		2
64	NC		1

2

3

1



2

3

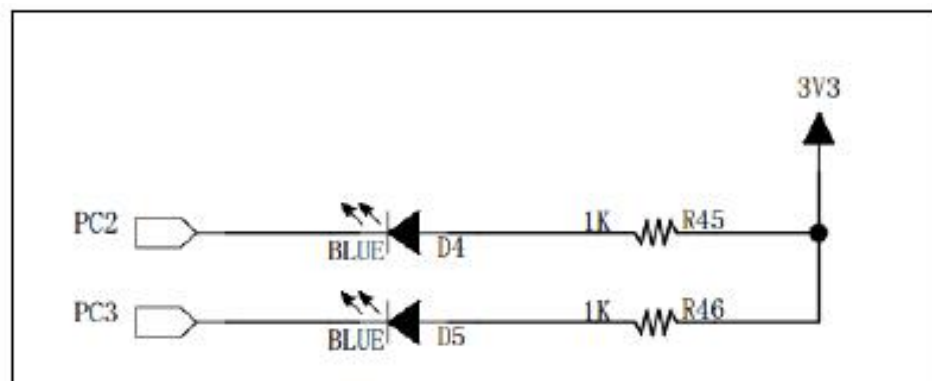
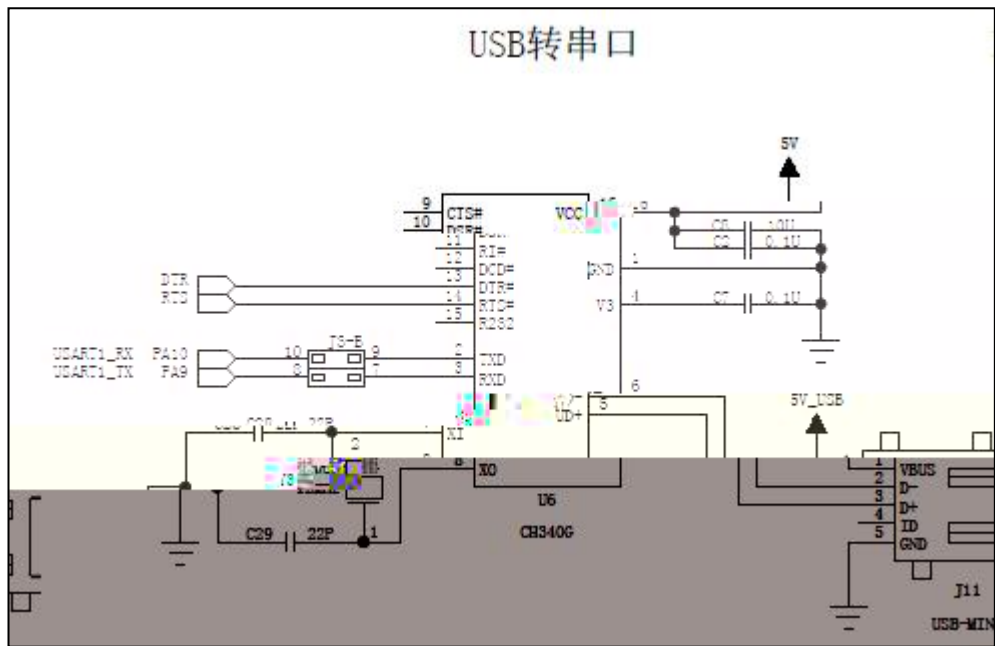
1

1	VBAT	VDD	64
2	PC13/ANT1	VSS	63
3	PC14/OSC32	PB9/TIM4_CH4/SDIO_D5	62
4	PC15/OSC32	PB8/TIM4_CH3/SDIO_D4	61
5	PD0/OSCIN		60
6	PD1/OSCOLT		59
7	NRST		58
8	PA0/NC		57
9	PA1/NC		56
10	PA2/NC		55
11	PA3/NC		54
12	PA4/NC		53
13	PA5/NC		52
14	PA6/NC		51
15	PA7/NC		50
16	PA8/NC		49
17	PA9/NC		48
18	PA10/NC		47
19	PA11/NC		46
20	PA12/NC		45
21	PA13/NC		44
22	PA14/NC		43
23	PA15/NC		42
24	PA16/NC		41
25	PA17/NC		40
26	PA18/NC		39
27	PA19/NC		38
28	PA20/NC		37
29	PA21/NC		36
30	PA22/NC		35
31	PA23/NC		34
32	PA24/NC		33
33	PA25/NC		32
34	PA26/NC		31
35	PA27/NC		30
36	PA28/NC		29
37	PA29/NC		28
38	PA30/NC		27
39	PA31/NC		26
40	PA32/NC		25
41	PA33/NC		24
42	PA34/NC		23
43	PA35/NC		22
44	PA36/NC		21
45	PA37/NC		20
46	PA38/NC		19
47	PA39/NC		18
48	PA40/NC		17
49	PA41/NC		16
50	PA42/NC		15
51	PA43/NC		14
52	PA44/NC		13
53	PA45/NC		12
54	PA46/NC		11
55	PA47/NC		10
56	PA48/NC		9
57	PA49/NC		8
58	PA50/NC		7
59	PA51/NC		6
60	PA52/NC		5
61	PA53/NC		4
62	PA54/NC		3
63	PA55/NC		2
64	PA56/NC		1

2

3

1

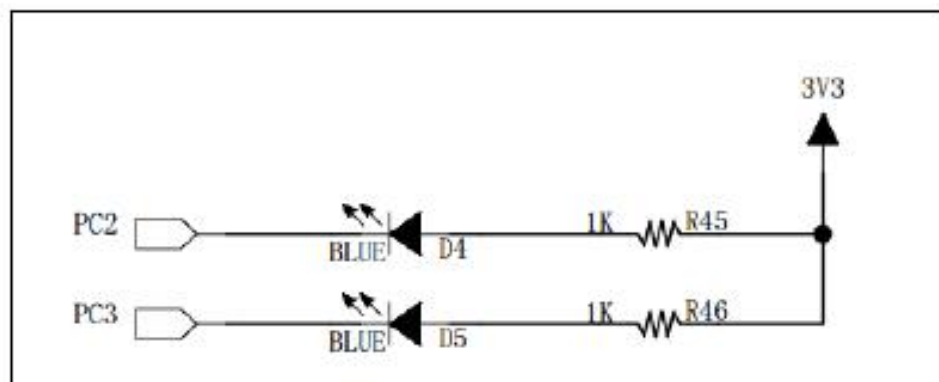
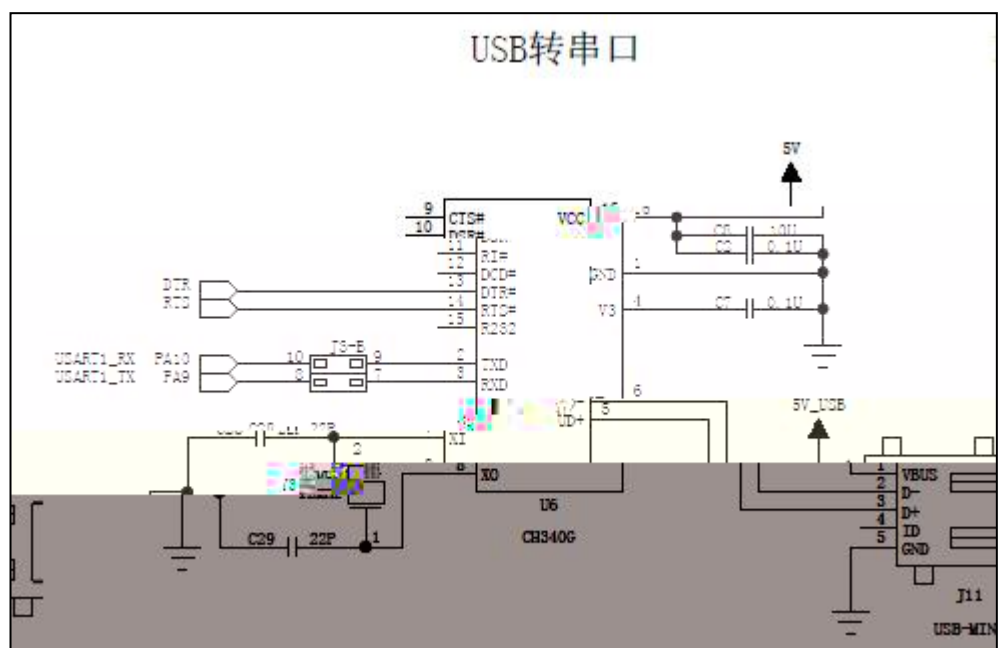


2

3

-

1



2

3

-

1

2

1

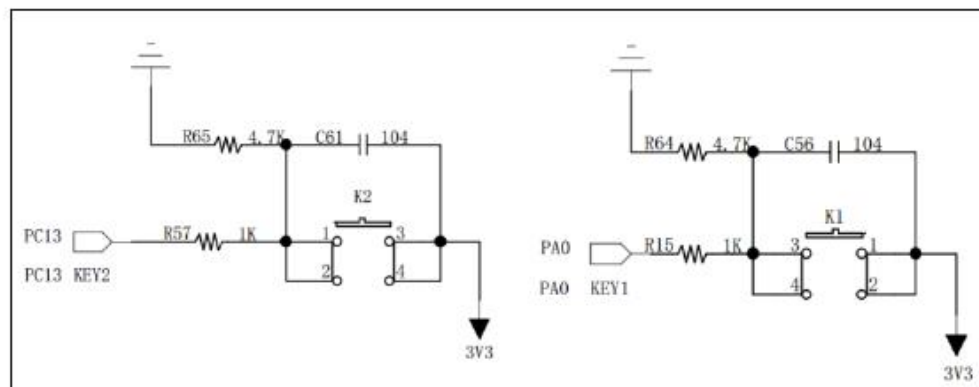
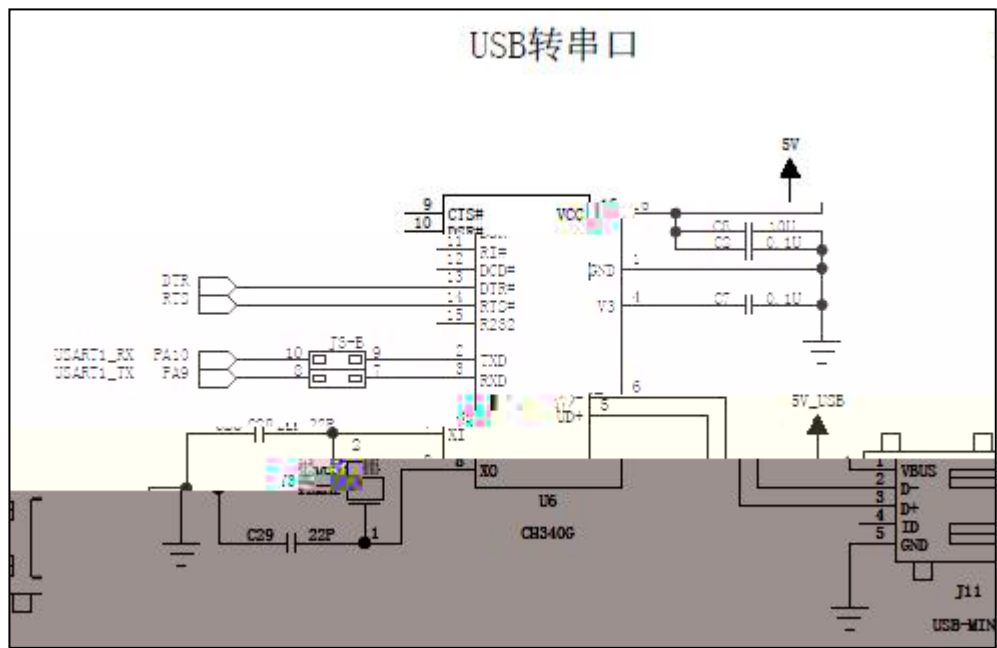


2

3

-

1

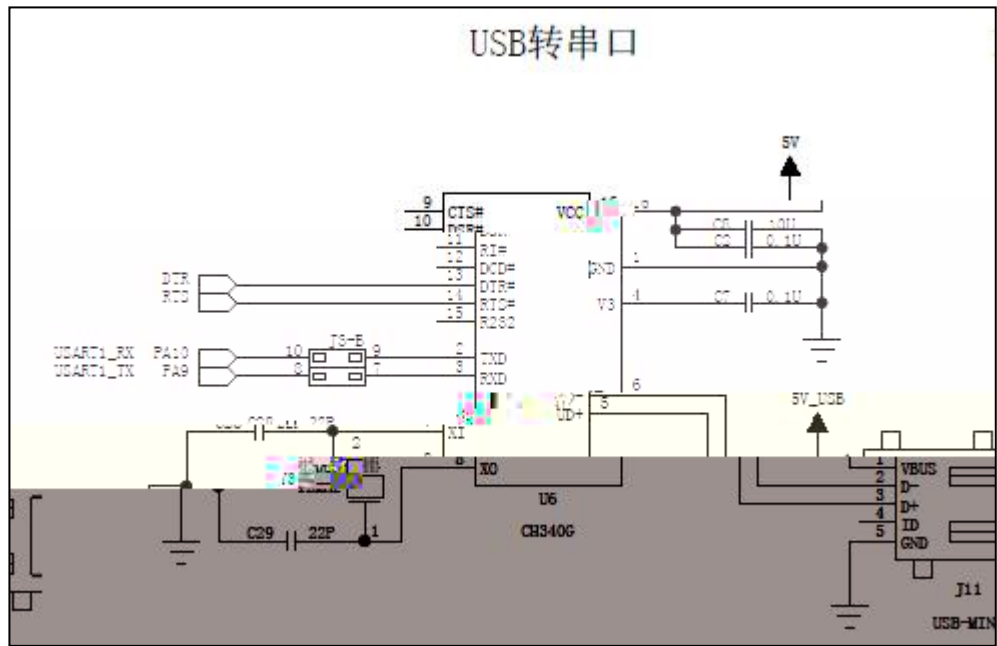


2

3

-

1



2

3

-



2

3

-

1



2

3

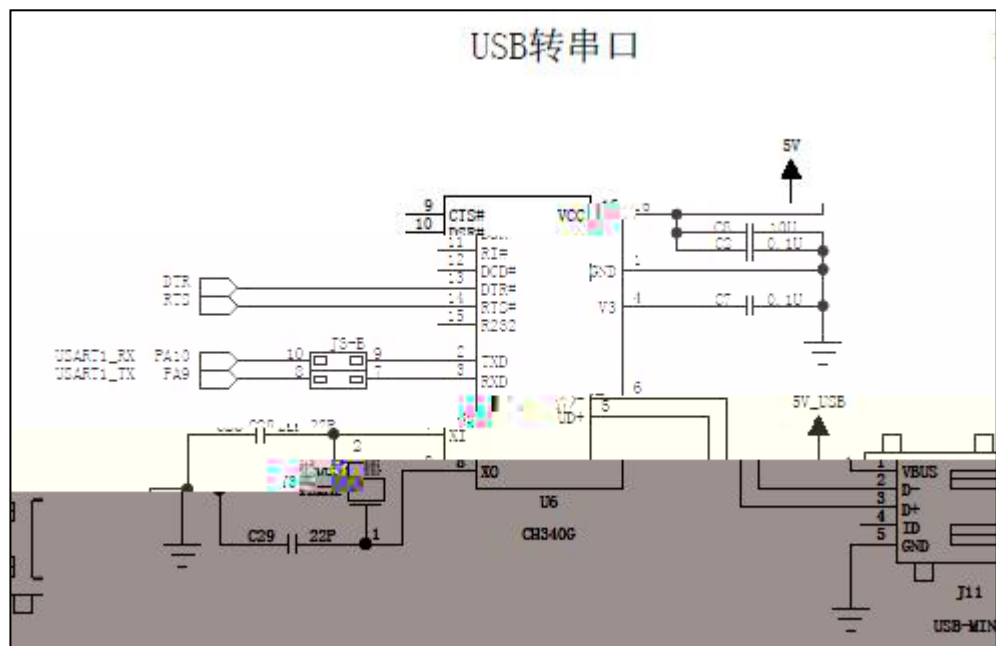


2

3

-

1



2

3

-

1

1

/ /

.0

/ /

()

/

1 0

20		10			0	
			6			
			7			
		10	8			
			9			

			10	
30				
		10		
		10		
50				
		10		

5

18

1
2

20sp

RGB #FF0000



3 :

2
1



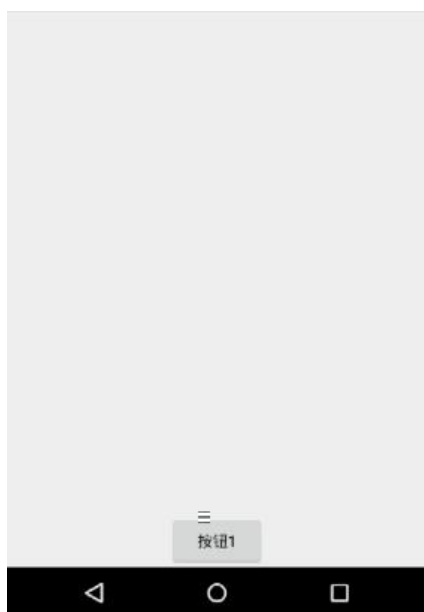
3 :

1

2

1

2



3

:

TextView

2

1



3

1

2



3

2

1

2



3

1

1 1 1 1

2

1

2

1 1 1 1



3

1

2

1



3

1

2

1

2



3

1

2

1

2

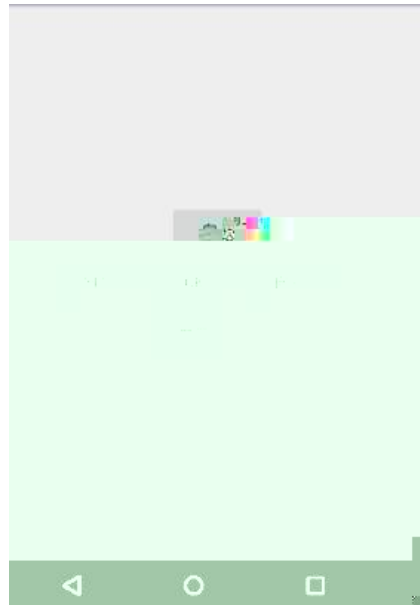


3

1

2

1



3

1

LED

2

1

2

3

TextView LED



3

1

LED

2

1

2

3

TextView LED



3

1

LED

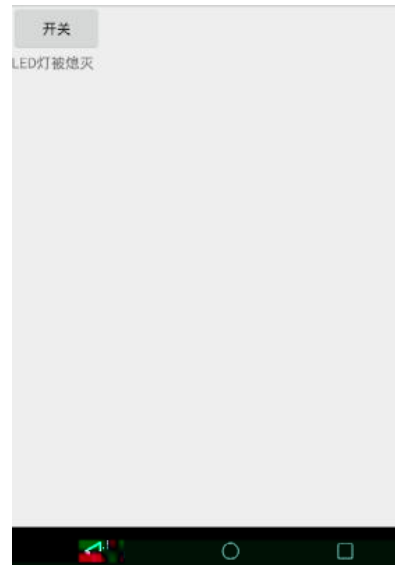
2

1

2

3

TextView LED



3

1

LED

2

1

2

3

4

TextVi ew



3

1

LED

2

1

2

3

4

ImageView

30dp*30dp



3

1

2

1

2



3

1

2

1

2



3